

GEBERIT BIM CATALOGUE

COMPACT MODELS FOR PRACTICAL APPLICATIONS

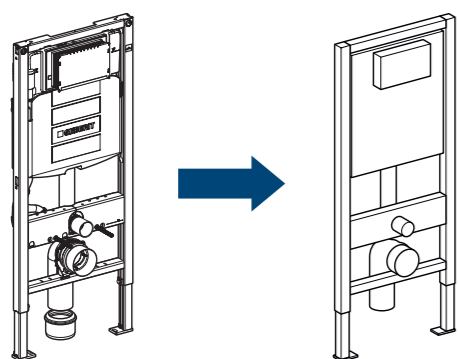


BREAKING THROUGH OBSTACLES IN SANITARY ENGINEERING

Throughout the entire life cycle of a building, processes need to be kept consistent and information needs to flow smoothly in order to make planning more reliable and keep construction efficient. More and more projects are being developed on the basis of BIM (Building Information Modelling) for this reason.

That's the theory – but things often work quite differently in practice. Manufacturer data might be incomplete, obsolete or even incorrect, and hardware or software systems can be pushed to their limits all too soon due to excessively large volumes of data – particularly in major projects. This is one of the biggest obstacles faced by digital planning. In many cases, users also have to manually amend and improve BIM objects to ensure that they will actually function in the planning process.

Now, there's a solution: the Geberit BIM Catalogue.



↑ **CONVENTIONAL BIM CONTENT**
High level of detail makes efficient planning difficult.

↑ **GEBERIT BIM CONTENT**
Simple geometry with planning-related metadata.

DIRECT ACCESS TO BIM CONTENT

With the Geberit BIM Catalogue for Autodesk® Revit®, sanitary engineers are given direct access to BIM content for Geberit piping and installation systems*. Using a plug-in that they install in Autodesk® Revit®, they are presented with a practical product catalogue from which they can download BIM models directly to the project as required. This eliminates the need to search for individual BIM models on different platforms.

EFFICIENT PLANNING WITH MANAGEABLE MODELS

Geberit relies on highly simplified, parametric geometries with all meta information that is relevant for planning in the background. This avoids overloading CAD systems and allows for efficient planning.

The BIM objects for Autodesk® Revit® are provided in the form of Revit families, not as Revit project files. In the case of Geberit piping systems, for example, all pipe dimensions and fittings that are relevant to the pipe routing are loaded simply by double-clicking in the Geberit BIM Catalogue. That means everything that is required for efficient planning, but without redundant information. If special fittings are required, they can be selected individually from the BIM catalogue.

Sanitary elements are also structured on the basis of parameters as far as possible, providing huge added value in the planning process as all settings can be adjusted for the sanitary element in question. This means that the frame height or connection bend angle can be adjusted in the properties, alongside other parameters. In order to use as many ceramic models in the planning as possible, the connection width of the fastening screws can also be adjusted.

RELIABLE PLANNING WITH CURRENT CONTENT

The direct connection to the Geberit product information management system ensures that the user only downloads tested and approved BIM objects. Incorrect or outdated BIM content is no longer a problem.

MANUFACTURER-NEUTRAL TENDERS

As a rule, public tenders in the EU must be manufacturer-neutral. Geberit has a simple solution – with just a single click, the manufacturer-specific and model-specific data in the built-in parameters are set to manufacturer-neutral and replaced by generic descriptions.

* This will be extended to additional product groups in the future.

After the tender has been issued, the manufacturer-specific parameters can be restored with just another click. This function does away with the painstaking task of replacing objects in the BIM model and significantly reduces the amount of work required.

LOCAL PRODUCT CATALOGUE

Selecting a country or region ensures that only those products are available, which are included in the assortment of the preselected country.

BIM CONTENT IN THE NATIONAL LANGUAGE

In addition to the region, the national language can be set, so that the BIM models are automatically translated into it.

WORLDWIDE USE IN PLANNING

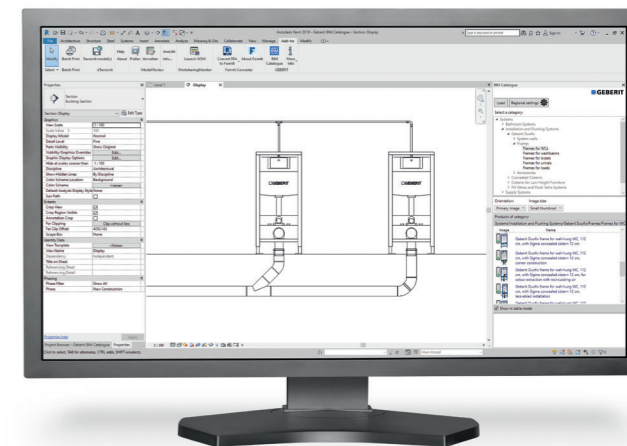
Thanks to region and language options, the Geberit BIM Catalogue can be used around the world.

It couldn't be any easier!

Geberit promotes standardised BIM content



Geberit is a member of the Verband Bauprodukte Digital, the German association governing digital construction products



GEBERIT BIM CATALOGUE PLUG-IN FOR AUTODESK® REVIT®

The Geberit BIM Catalogue plug-in for Autodesk® Revit® can be downloaded free of charge. Once the plug-in is installed in Autodesk® Revit®, sanitary engineers can access the BIM content of Geberit products directly.

Here's how it works:

1. Download the plug-in on the Geberit web page: www.geberit.co.uk/BIM
2. Register and install the plug-in

WHAT THE EXPERTS SAY



Prof. (FH) DI (FH)
Dr. Christian Heschl,
Prof. (FH) DI (FH),
University of Applied
Sciences Burgenland,
Lead of Master Program
"Building Technology and
Management"

"The solution of providing content for the Geberit BIM catalogue via a live connection to the Geberit PIM system ensures that data is always up to date and thus improves the reliability of the BIM planning process."



Michael Fuchs,
BIM Manager,
Ingenieurbüro
LANG GmbH

"Geberit's BIM catalogue plug-in is a practical asset for sanitary engineers. It makes it possible to generate manufacturer-neutral families, with geometry that lends itself well to performance, directly from the plug-in. Manufacturer data and availability can be entered automatically during the course of the project."

Geberit Sales Ltd

Geberit House
Edgehill Drive
Warwick
CV34 6NH

T 01926 516800

F 01926 400101

bim.support.gb@geberit.com

www.geberit.co.uk